

Solutions for today, Innovations for tomorrow.

HIGH SPEED LINKING AND HANGING SYSTEM FOR ALL TYPE CASING

▶ **LINKWEL**
▶ **LINKWEL-L**

▶ **LINKWEL-X**
▶ **LINKWEL-XL**



HITEC



www.hitec-jp.com

The world's first equal-length, equal-weight, and equal-diameter sausage stuffing machine for natural casing.

Basically 3 operators for stuffing natural casing, and 2 operators for artificial casing can run LINKWEL.

"LINKWEL" is the equal-length, equal weight, and equal-diameter sausage stuffing machine for natural casing.

In the conventional production sausages of natural casing sausages, it was considered impossible to make weight and length of sausages constant. However, our new product "LINKWEL" is the world's first sausage stuffing machine that has realized production of natural casing sausages with equal weight as well as equal length.

"LINKWEL" can minimize breakage of casings during stuffing.

As it employs a stuffing method different from the conventional ones, it drastically decreases the frequency of casing breakage due to a success in a sharp decrease of pressure on casings during stuffing.

"LINKWEL" has 2 types

This type of "LINKWEL" can stuff all casing including sheep casing, hog casing, collagen casing, and cellulose casing. Changeover of a product is very easy and even the changeover from natural casing to artificial casing to natural casing is so simple. This changeover without special tools and skill can be made by an operator and exchange work including all of the parts and change in setting-up can be finished within 10 minutes.



HIGH SPEED LINKING AND HANGING SYSTEM FOR ALL TYPE CASING

◀ **LINKWEL**
◀ **LINKWEL-L**



LINKWEL

One with an automatic casing feeder processes casings of all types and the other is exclusively used for natural casing. "LINKWEL" is the most suitable machine for any kind of casings including sheep, hog, collagen, and cellulose.

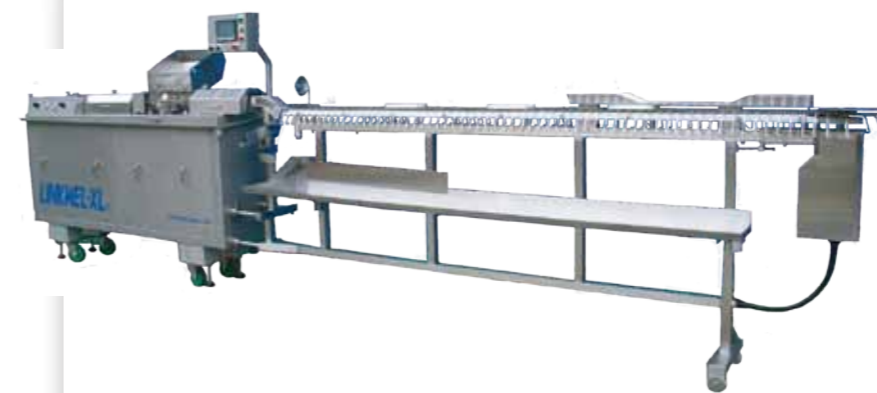
Produce 800 pcs/min of natural casing in equal length and equal weight, 1,500 pcs/min of collagen casing and 3,000 pcs/min of cellulose casing.

The one and only stuffing equipment

It can produce various kinds of and a large volume of products with one machine, which makes space-saving layout with less machines. Less-experienced operators easily get used to the machine and can make a daily maintenance. LINKWEL is sanitary designed.

"LINKWEL" achieved high-speed production of natural casing sausages.

It is a machine completed with an idea quite different from the conventional stuffing theory for natural casing sausages. It has realized a production with much higher speed than the conventional natural casing sausages stuffing machine. In addition, since it can be connected including an operation of hanging sausages on rods.



HIGH SPEED LINKING AND HANGING SYSTEM FOR ALL TYPE CASING

◀ **LINKWEL-X**
◀ **LINKWEL-XL**

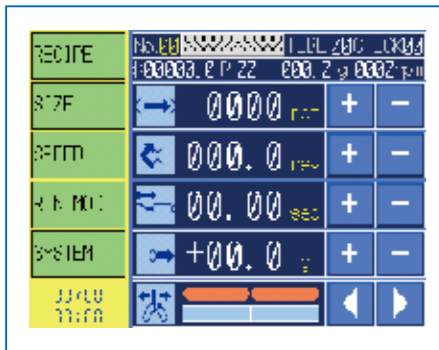
Drive of Metering pump with Servo motor.

In view of further improving the precise weight performance of the well established LINKWEL, LINKWEL-L in producing exact weight sausages, the motor for metering pump is changed to the servo motor, which are "LINKWEL-X, LINKWEL-XL" Series. Because ON/OFF change with electromagnetic clutch becomes unnecessary, the motor durability is increased and the maintenance becomes much easier.



LINKWEL-X

Operator Friendly Monitor



Easy changing of products

All your necessary information displayed at a moment's notice, quick and easy.

Easy as 1.2.3.

1. Confirm you have the correct linking chain, tube size, chuck, and hopper adjustment.
2. Select the desired preprogrammed product code.
3. Push the start button.

Everything is stored and predetermined. Machine speed, pump speed, front and tail of casing, twist, etc, the same every time!!!

Production control

All vital data including cycles run, set point, etc can be checked at anytime.

Maintenance and troubleshooting

If any type of problems occur during operation, its location will be displayed immediately. Also, it can quickly be resolved with a flow chart for the machine.



Separation of pneumatic parts and electrical parts

Complete separation of pneumatic parts and electrical parts allows easy and safe repair/adjustment.

Casing Advancing mechanism and Tail End Detector

The "LIMKWEL" reduces casing breakage using a patented stuffing design that is unique to the conventional styles used.



Heavy Duty metering pump

Hitec has achieved to make heavy duty metering pumps by stronger drive shaft, stronger idler shaft and more durable bearings. Our design offers excellent long term weight control with less necessary overhauls.

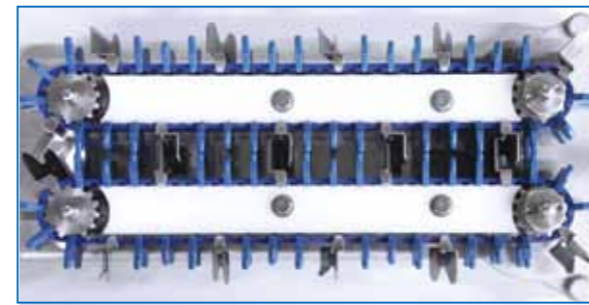


Maintenance free no oil twisting system

A simple motor with timing belt means fewer components and extended parts life. When necessary, replacing parts is done quickly and easily without the need to remove the entire twister assembly. No one can match the performance of this Hitec design.

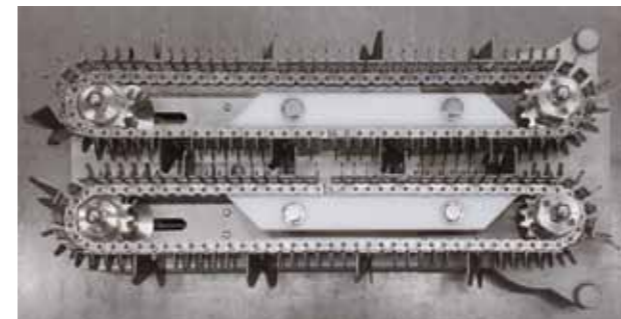
Sanitary draining system

The standard type is equipped with Water Saucer and Water Chute to get water flow into one place.



Linking Belt

Pinchers that are attached on the linking belt fix the product length. Customers can choose the product length from 2 cm and in units of 0.5 cm.



Linking Chain

Available in various lengths from 3 pitches (28.56mm), as well as half pitch (4.76 mm). Also capable of straight stuffing (no twist).

Stationary Chute

By using the stationary chute, no more products will be jammed at the chute section. Due to Hitec's innovation with electric conveyors, a looping horn is not needed. Sausages are caught by the hooks. Several other features enable us to maximize output and hanging ability.



Options

Adjustable tapered packing



It's a vital part which has an important role to make a twist on sausage. The inner diameter of the packing is adjustable by tightening, which helps to look for an ideal and proper twisting.



Color Sensor for natural casing

Color sensor detects the surface color of a stuffing tube. When the tail end of natural casing goes off out of a stuffing tube, the color sensor detects it and stop the meat discharge.

Butterfly Valve

This valve opens/closes interlocking with the linker and prevents the meat from coming out of the stuffing tube.

Boiling Water Bath for sheep casing

With installing an optional water device, the process of tying the casings in the front and the tail has been eliminated. This device helps to increase both productivity and casing utilization.

Stuffing Tube Holder

Keeping accessories like stuffing tubes, chucks and linking chains with the equipment.



HITEC Hook Design Options

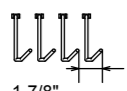
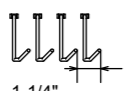
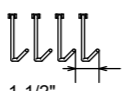
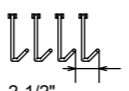
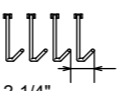


Multi type casing round bar hook



Natural casing plate hook

Other hook designs available for ring sausage or other specialized applications.

RS×Pitch	CONVEYOR CHAINS				
Calculation example 1 inch = 25.4mm RS50 = 5/8inch RS60 = 3/4inch RS50×3P =25.4mm×5/8×3 =47.625mm	RS50×3P  1-7/8" STD HOOK CONVEYOR	RS50×2P  1-1/4" CLOSE HOOK CONVEYOR	RS60×2P  1-1/2" MEDIUM HOOK CONVEYOR	RS50×4P  2-1/2" WIDE HOOK CONVEYOR	Also available RS60×3P  2-1/4"
Hook distance	1 7/8 inch 47.625 mm	1 1/4 inch 31.75 mm	1 1/2 inch 38.1 mm	2 1/2 inch 63.5 mm	2 1/4 inch 57.15 mm

Various electric systems available

Easy to operate, non proprietary electronic components and controls.
Omron, Mitsubishi or Allen Bradley, the choice is yours.



Omron



Mitsubishi

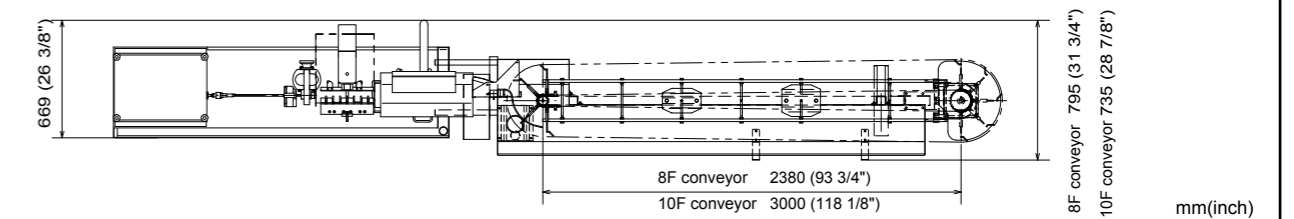
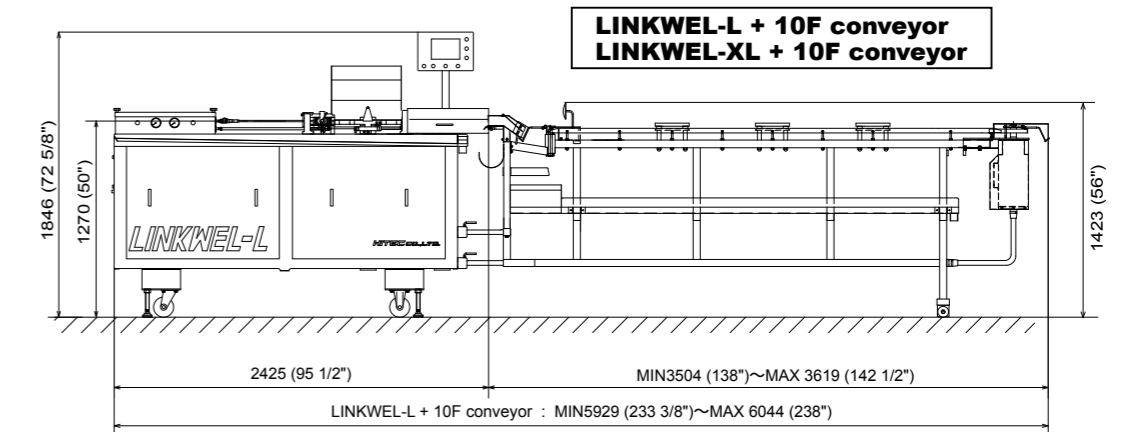
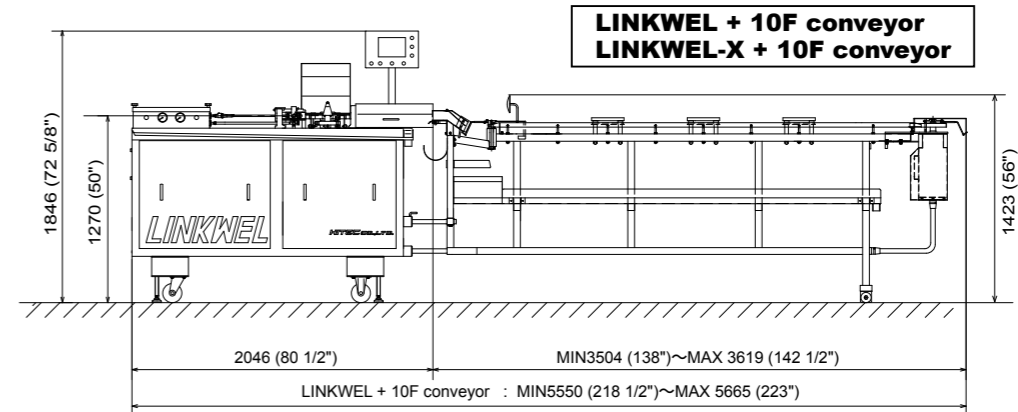
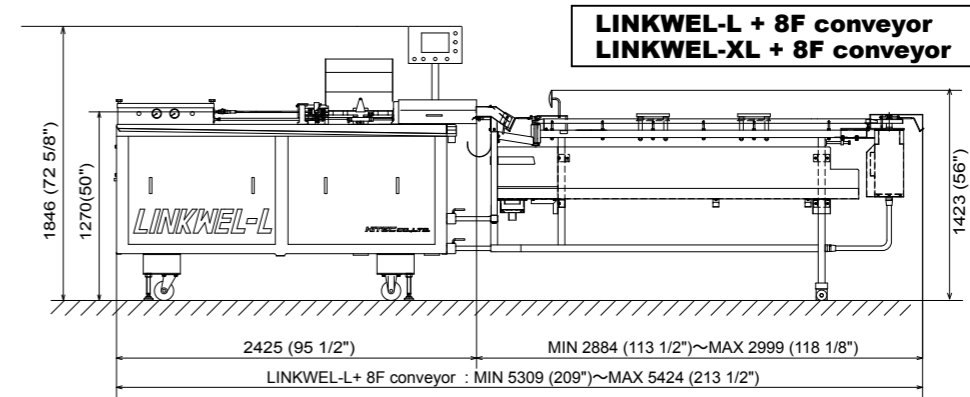
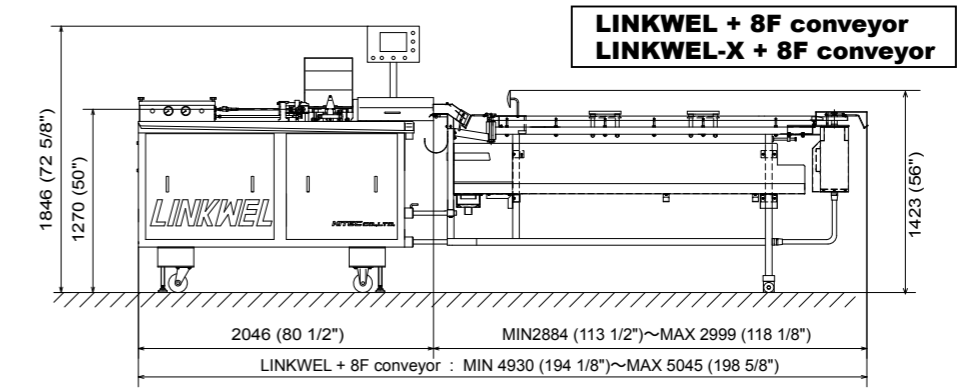


Allen-Bradley

Options



LAYOUT



※Optional sanitary design hanging conveyor in 8ft or 10ft length available. Sanitary servo conveyor made of round tubing for optimum sanitation. All components are removable without tool usage. No debris or dirt collection surfaces makes sanitation quick and thorough.

■ SPECIFICATION

Production Rate	Artificial Casing	Max. 3,200 kg/hg (7,000 lb/hr)
	Natural Casing	Max. 800 pcs./min

Dependent on casing quality, product size, weight and/or factory conditions.

Product Size	Artificial Casing	3 pitches (28.6 mm , 1 1/8 in) through 32 pitches (304.8 mm , 12 in) or more.
	Natural Casing	3 pitches (28.6 mm , 1 1/8 in) through 20 pitches (190.5 mm , 7 1/2 in) or more

Longer sizes can be applied with HITEC'S optional unit.

Casing Size		LINKWEL LINKWEL-X	LINKWEL-L LINKWEL-XL
Diameter	Sheep Casing	14 mm (35/64 in) ~	25 mm (63/64 in)
	Hog Casing	26 mm (1 1/32 in) ~	36 mm (1 27/64 in)
	Collagen	13 mm (33/64 in) ~	32 mm (1 17/64 in)
	Cellulose Casing	14.5 mm (37/64 in) ~	34 mm (1 11/32 in)
Shirred Length	Sheep Casing	180 mm (7 1/16 in)	
	Hog Casing	180 mm (7 1/16 in)	
	Collagen	280 mm (11 in)	300 mm (11 3/4 in)
	Cellulose Casing	325 mm (12 3/4 in)	440 mm (17 3/8 in)

Machine Size				
Total Machine size	LINKWEL+8Fconveyor LINKWEL-X+8Fconveyor	LINKWEL-L+8Fconveyor LINKWEL-XL+8Fconveyor	LINKWEL+10Fconveyor LINKWEL-X+10Fconveyor	LINKWEL-L+10Fconveyor LINKWEL-XL+10Fconveyor
Height	1,846 mm (72 5/8 in)	1,846 mm (72 5/8 in)	1,846 mm (72 5/8 in)	1,846 mm (72 5/8 in)
Tube height	1,270 mm (50 in)	1,270 mm (50 in)	1,270 mm (50 in)	1,270 mm (50 in)
Length MAX	5,045 mm (198 5/8 in)	5,424 mm (213 1/2 in)	5,665 mm (223 in)	6,044 mm (238 in)
Width	795 mm (31 1/4 in)	795 mm (31 1/4 in)	735 mm (28 7/8 in)	735 mm (28 7/8 in)
Weight	690 kg (1,518 lb)	730 kg (1,610 lb)	710 kg (1,562 lb)	750 kg (1,650 lb)
Net (Machine dimension and weight)	LINKWEL LINKWEL-X	LINKWEL-L LINKWEL-XL	8F conveyor	10F conveyor
Height	1,846 mm (72 5/8 in)	1,846 mm (72 5/8 in)	1,423 mm (56 in)	1,423 mm (56 in)
Length MAX	2,046 mm (80 1/2 in)	2,425 mm (95 1/2 in)	2,999 mm (118 1/8 in)	3,619 mm (142 1/2 in)
Width	669 mm (26 3/8 in)	669 mm (26 3/8 in)	795 mm (31 1/4 in)	735 mm (28 7/8 in)
Weight	500 kg (1,110 lb)	540 kg (1,188 lb)	190 kg (418 lb)	210 kg (462 lb)
Gross (Wooden crate + Box dimensions and weight)	LINKWEL LINKWEL-X	LINKWEL-L LINKWEL-XL	8F conveyor	10F conveyor
Height	1,830mm (72 in)	1,830 mm (72 in)	1,550 mm (61 in)	1,550 mm (61 in)
Length MAX	2,550 mm (100 3/8 in)	2,750 mm (108 1/4 in)	3,500 mm (137 3/4 in)	4,100 mm (161 1/2 in)
Width	900 mm (35 1/2 in)	900 mm (35 1/2 in)	750 mm (29 1/2 in)	750 mm (29 1/2 in)
Weight	720 kg (1,584 lb)	780 kg (1,716 lb)	410 kg (902 lb)	470 kg (1,034 lb)

Requirements				
Electrical Requirements	LINKWEL/LINKWEL-L	Three-Phase 6,775 W	LINKWEL-X/LINKWEL-XL	Three-Phase 8,200 W
Pneumatic Requirements	Quality	clean and dry		
	Pressure	520 kPa (5.2 bar)	75 psi	
	Consumption	1 L, (1,000 cm3) per min	60 in3 per min	
Water Requirements	Quality	Clean and drinkable water		
	Pressure	280-410 kPa (2.8-4.1 bar)	40-60 psi	
	Consumption	1 L, (1,000 cm3) per min	60 in3 per min	
Emulsion Requirements	Pressure	500 kPa (5 bar)	72 psi	
	Consumption	Max 3,200kg/hr	Max 7,000 lb/hr	

※ Specifications and equipment are subject to change without any obligation on the part of manufacturer.

※ The above production rate is subject to change due to the conditions such as production item, factory and other conditions.

