

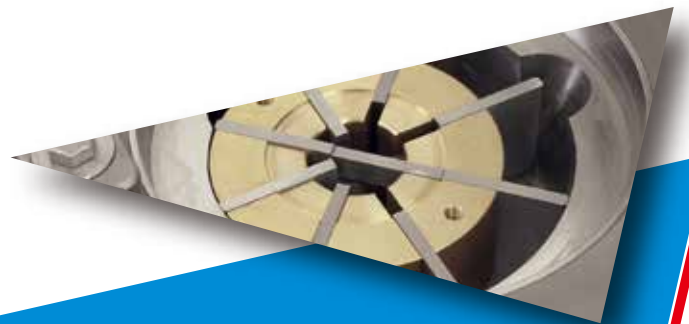
Solutions for today, Innovations for tomorrow.

VACUUM STUFFER

# STUFFWEL 30



HITEC



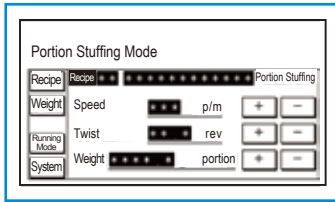
[www.hitec-jp.com](http://www.hitec-jp.com)



**For small lot production,  
New vacuum stuffer launched!**

VACUUM STUFFER

**STUFFWEL 30**



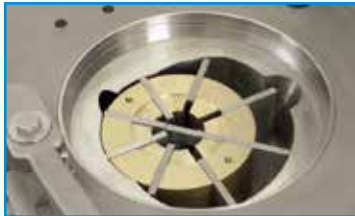
◀ **Operator Friendly Monitor**

All your necessary information displayed at the touch of a button.



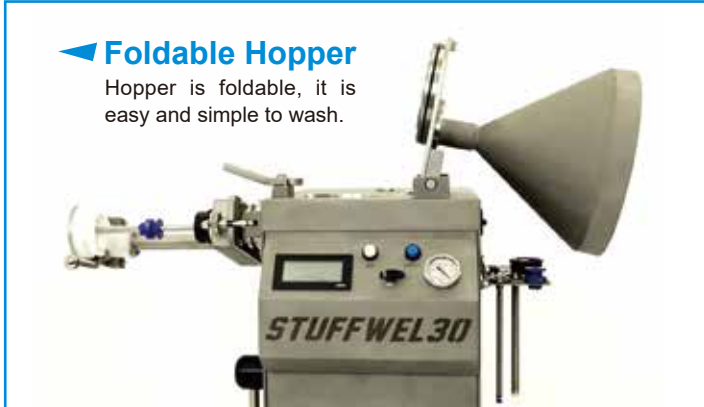
◀ **Sausage Twisting Device**

By installing a simple detachable twisting device, it is possible to stuff equal weight sausage one by one.



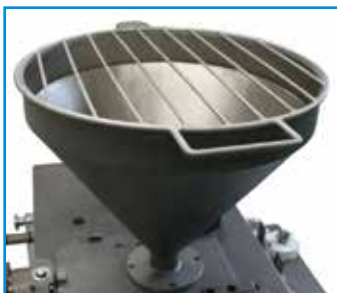
◀ **Vane Pump**

Due to the new type vane pump, it is accomplished to convey products without damaging such as crushing and breaking into pieces.



◀ **Foldable Hopper**

Hopper is foldable, it is easy and simple to wash.

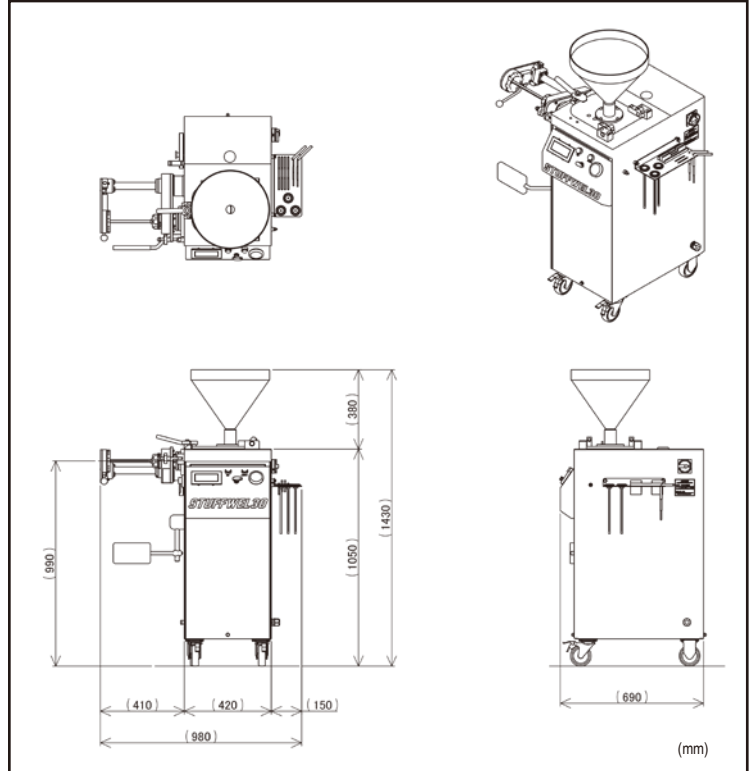


◀ **Accessories Holder**

Keep accessories with the equipment as an option.

◀ **Safety Cover**

Cover the hopper for safety operation as an option.



※ Layout dimension includes dimension of optional equipment.

※ Specifications and equipment are subject to change without any obligation on the part of manufacturer.

**HITEC CO., LTD.**  
**HEAD OFFICE & FACTORY**  
 2565-8, NAGATSUTA-CHO, MIDORI-KU, YOKOHAMA 226-0026, JAPAN  
 PHONE +81-45-983-5000 FAX +81-45-983-0020  
 E-mail : sales@hitec-jp.com  
 URL : www.hitec-jp.com

**HITEC CO., LTD.**



Scan QR code for Video.